


# SHADING - SIMPLE STILL LIFE

Copy the image below onto a sheet of drawing paper using Blocking and Grid method. The goal is to have your drawing look as accurate to the original image as possible. If you're worried about your accuracy focus on doing your best and maintain a high level of craftsmanship: keep paper crisp and clean (no folds, wrinkles or tears) avoid fingerprints and smudging, keep shading texture smooth and carefully done.. Below are also some examples of how do block-in your drawing or use the grid method.

**Grid Method**

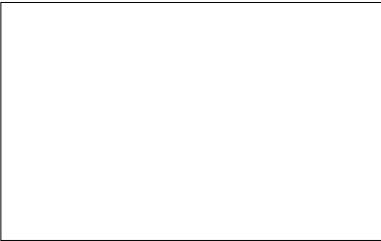
Step 1: Draw grids on both image and drawing paper. If enlarging image the grids must be proportional. For the project use a 1/2 inch grid for the image and a 1 inch grid for the Drawing paper. Draw lightly!

Image:

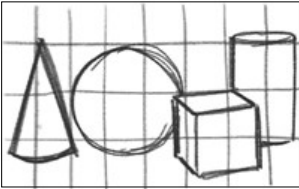


Step 2: Use grid lines to help accurately draw in edges of forms and transitions in values. For improved accuracy : cover up portions. Erase or cover up grid lines as you go. You shouldn't see them when drawing is finished.

TRY THEM BOTH OUT HERE



Drawing:



**Blocking Method**

1. Rough in edges of forms
2. Refine edges, map-out the value transitions.
3. Add in values
4. Refine and adjust contrast as needed.

